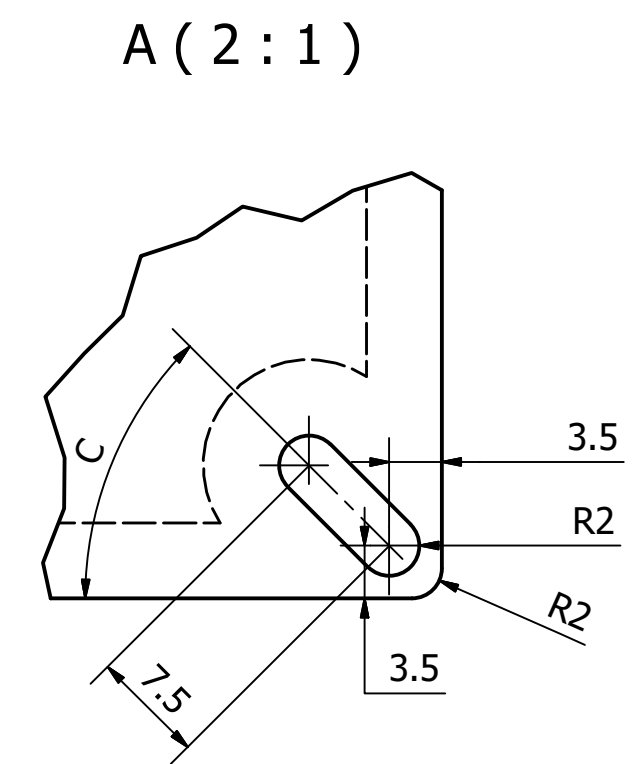


REVISION HISTORY			
REV	DESCRIPTION	DATE	AUTHORITY
1	First release	27/09/2018	ABL
2	SKU corrected	14/12/2018	ABL

PROPERTIES					
SKU	A (mm)	B (mm)	C (°)	Voltage	Power (W)
E-BED-HT-200-200-110V	214	214	45	110VAC	500
E-BED-HT-300-200-110V	216	316	34	110VAC	800
E-BED-HT-300-300-110V	314	314	45	110VAC	1100
E-BED-HT-200-200-240V	214	214	45	240VAC	500
E-BED-HT-300-200-240V	216	316	34	240VAC	800
E-BED-HT-300-300-240V	314	314	45	240VAC	1100




TOLERANCES UNLESS OTHERWISE STATED:
 X ±0.2
 X.X ±0.1
 X.XX ±0.05

THIRD ANGLE PROJECTION
 ALL DIMENSIONS IN MM
 MATERIAL: ALUMINIUM 6061
 SCALE: 1:2
 SURFACE FINISH: BLACK ANODISED

Copyright (C) E3D-Online Ltd (e3d-online.com)

These drawings are free hardware: you can redistribute it and/or modify it under the terms of the GNU General Public License as published by the Free Software Foundation, either version 3 of the License, or (at your option) any later version.

Designed by ABL	Checked by RY	Approved by RY	Date 27/09/2018	Date 27/09/2018
 your toolkit for everything 3D printing			HIGH TEMPERATURE HEATED BED E-BED-HT	
			Edition 2	Sheet 1 / 1