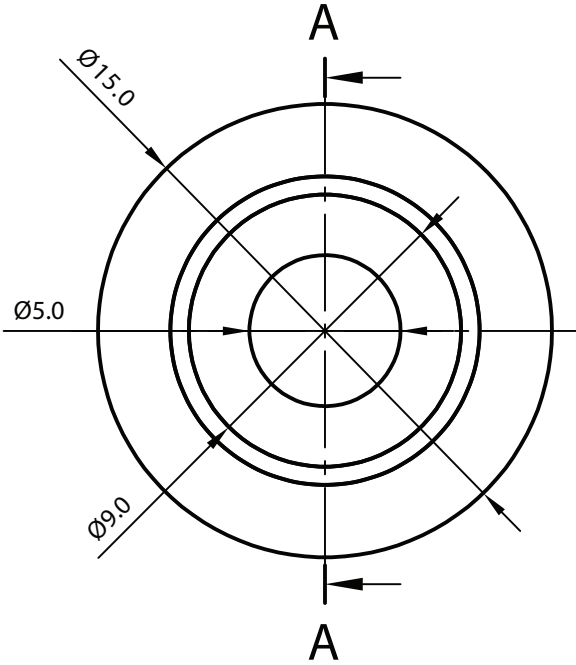
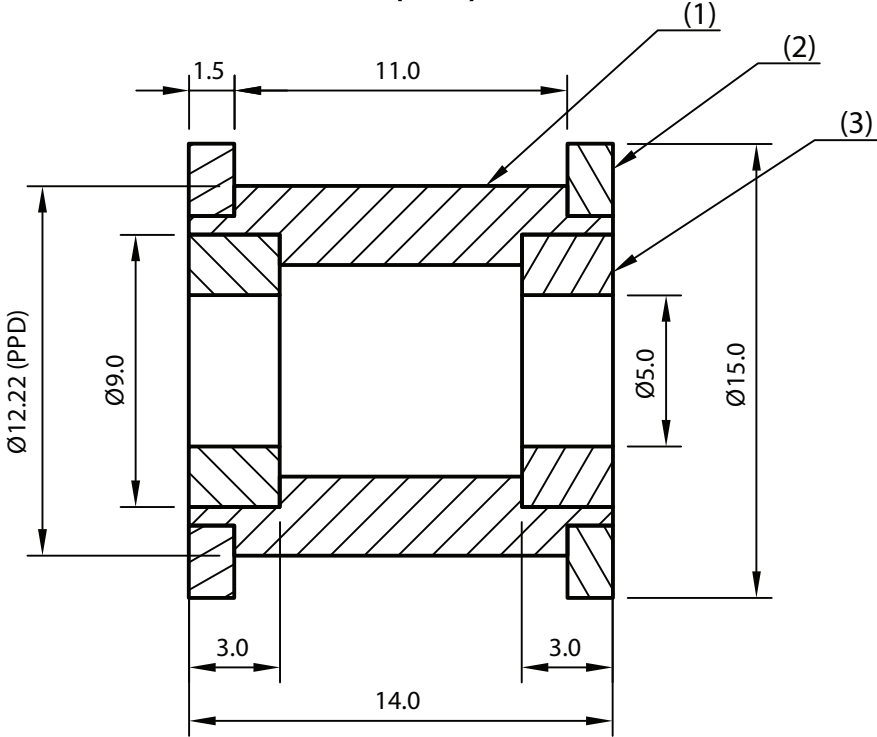


REVISION HISTORY

REV	DESCRIPTION	DATE	APPROVED
1	FIRST	06/11/18	06/11/18

A-A (4:1)



2	3	BEARING	M95ZZ
2	2	FLANGE	A6061
1	1	PULLEY	A6061
Qty.	Part No.	Name of Part	Material Type

Copyright (C) E3D-Online Ltd (e3d-online.com)
 These drawings are free hardware you can redistribute it and / or modify it under the terms of the General Public License as published by the Free Software Foundation, either version 3 of the License, or (at your option) any later version.

THIRD ANGLE PROJECTION
 ALL DIMENSIONS IN MM
 SCALE: 4:1
 SURFACE FINISH: UNFINISHED

TOLERANCES UNLESS OTHERWISE STATED:
 X ±0.2
 X.X ±0.1
 X.XX ±0.05

Dept. Engineering	Technical reference	Created by JS	06/11/18	Approved by RY	06/11/18
		Document type PRODUCTION	Document status RELEASED		
		Title Gates Toothed Idler 9mm	DWG No. M-IDLER-T-GT2-P20-9-A-P5-H140		
		Rev. 1	Date of issue 06/11/18	Sheet 1/1	