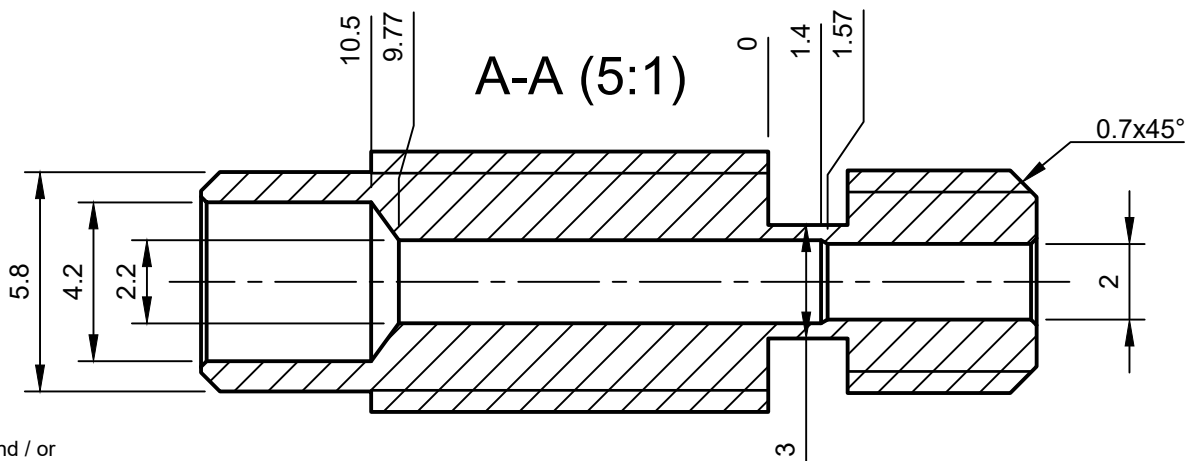
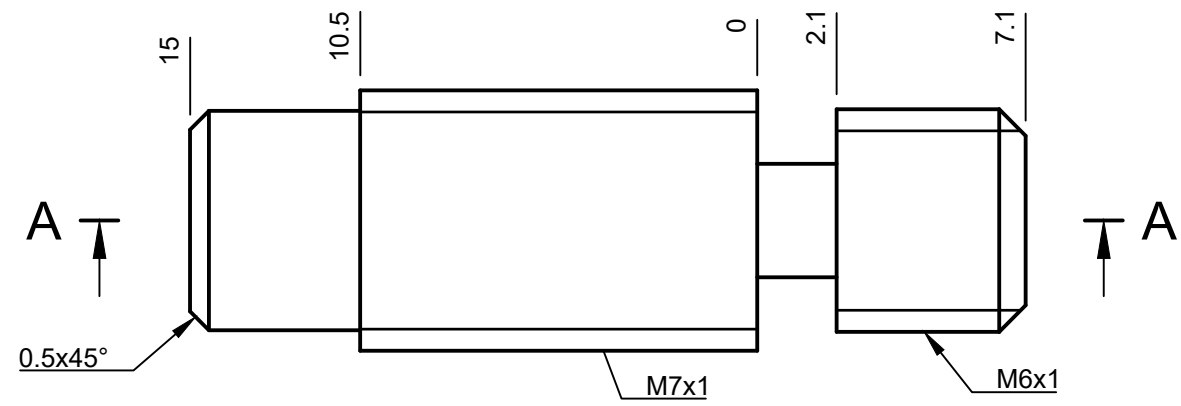
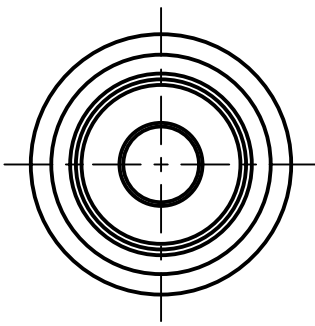


REVISION HISTORY

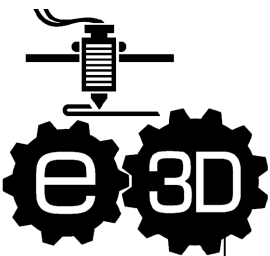
REV	DESCRIPTION	DATE	APPROVED
1	First release	22/01/2019	JR, ST



Copyright (C) E3D-Online Ltd (e3d-online.com)
 These drawings are free hardware you can redistribute it and / or modify it under the terms of the General Public License as published by the Free Software Foundation, either version 3 of the License, or (at your option) any later version.

THIRD ANGLE PROJECTION
 ALL DIMENSIONS IN MM
 MATERIAL: STAINLESS STEEL
 SCALE: 5:1
 SURFACE FINISH: UNFINISHED

TOLERANCES UNLESS OTHERWISE STATED:
 X ±0.2
 X.X ±0.1
 X.XX ±0.05

Dept. Engineering	Technical reference -	Created by ABL	22/01/2019	Approved by JR, ST	22/01/2019
		Document type PRODUCTION	Document status RELEASED		
		Title PRUSA SPECIFIC HEATBREAK MK2/MK3	DWG No. PRUSA-BREAK-175		
		Rev. 1	Date of issue 22/01/2019	Sheet 1/1	