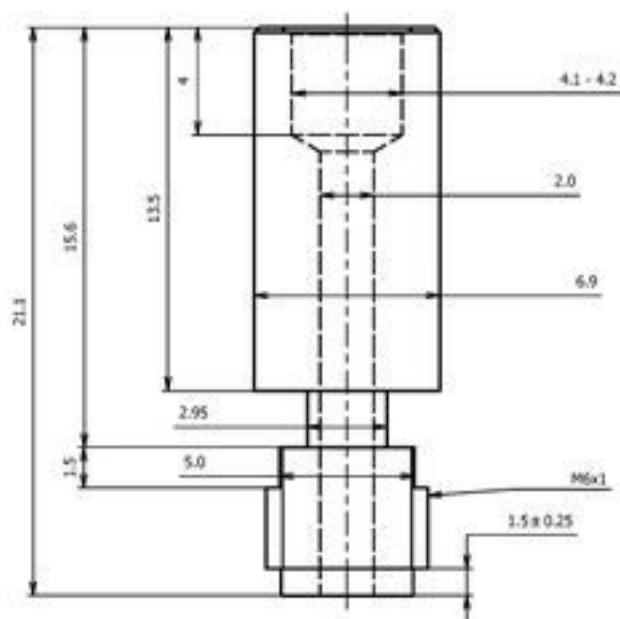



THIRD ANGLE PROJECTION
ALL DIMENSIONS IN MM
MATERIAL: 303 S-S
SCALE: 5:1
SURFACE FINISH: UNFINISHED UNLESS STATED

TOLERANCES UNLESS
OTHERWISE STATED:
X ±0.2
X.X ±0.1
X.XX ±0.05



This work is licensed under a Creative Commons Attribution-NonCommercial-ShareAlike 3.0 Unported License.

Designed by E3D-Online JR	Checked by	Approved by	Date	Date 04/12/2014	
 E3D-Online			Cyclops Heat Break (1.75mm)		
			CY-BREAK-175	Edition 4	Sheet 1 / 1