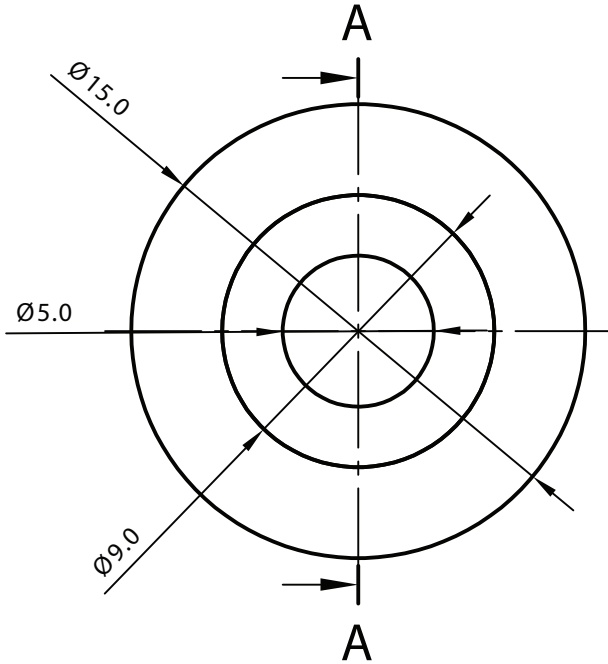
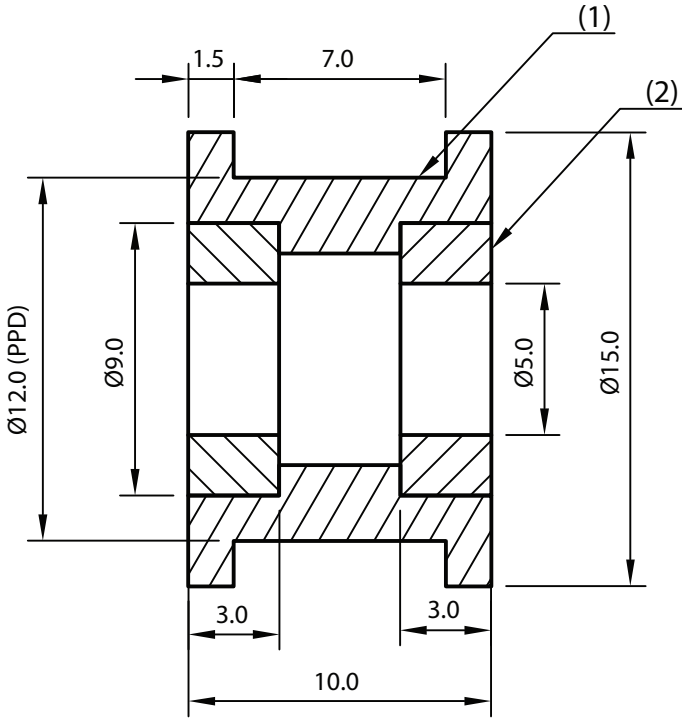


REVISION HISTORY

REV	DESCRIPTION	DATE	APPROVED
1	FIRST	06/11/18	RY

A-A (4:1)

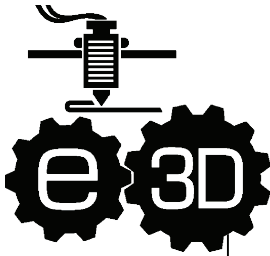


Copyright (C) E3D-Online Ltd (e3d-online.com)
 These drawings are free hardware you can redistribute it and / or
 modify it under the terms of the General Public License as
 published by the Free Software Foundation, either version 3 of the
 License, or (at your option) any later version.

THIRD ANGLE PROJECTION
 ALL DIMENSIONS IN MM
 SCALE: 4:1
 SURFACE FINISH: UNFINISHED

TOLERANCES UNLESS OTHERWISE STATED:
 X ±0.2
 X.X ±0.1
 X.XX ±0.05

2	2	BEARING	MR95ZZ (5x9x3)
1	1	PULLEY	A6061-T6
Qty.	Part No.	Name of Part	Material Type

Dept. Engineering	Technical reference	Created by JS	06/11/18	Approved by RY	06/11/18
		Document type PRODUCTION	Document status RELEASED		
		Title Gates Smooth Idler 6mm	DWG No. M-IDLER-S-D12-6-A-P5-H100		
		Rev. 1	Date of issue 06/11/18	Sheet 1/1	