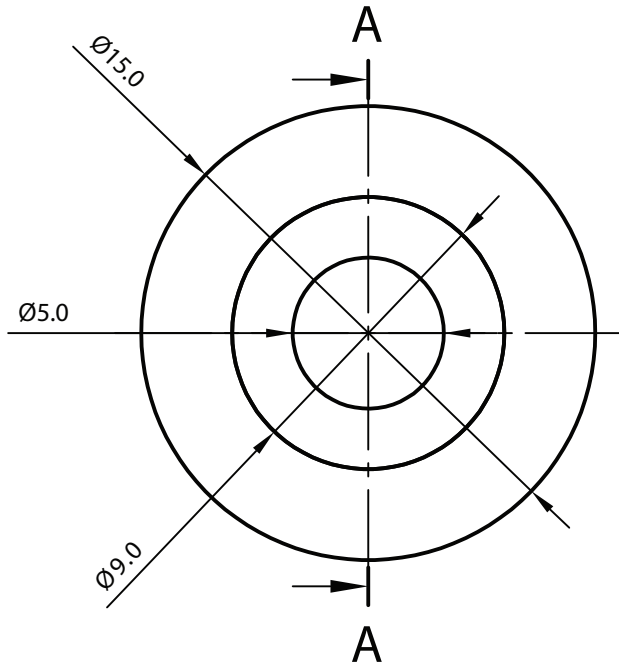
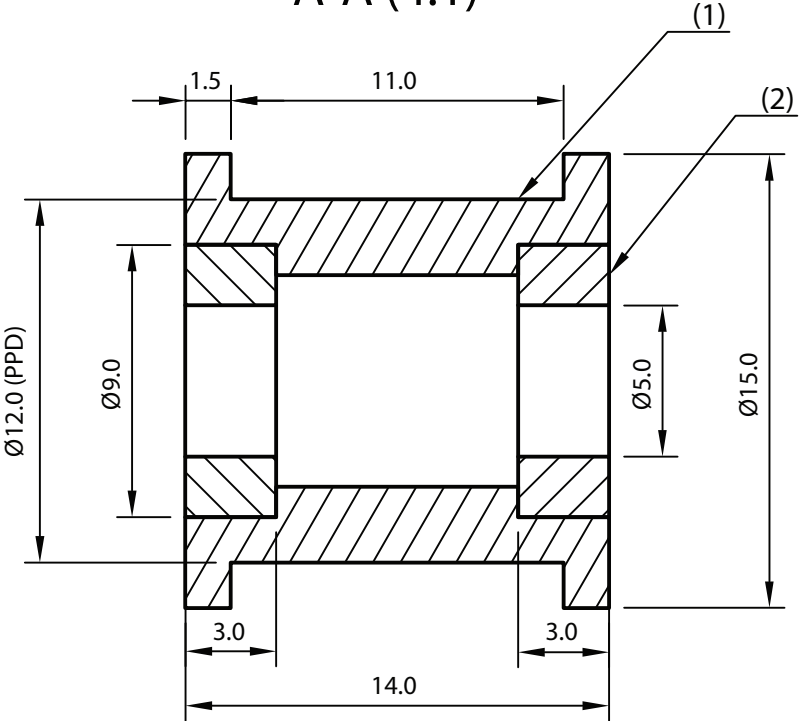


REVISION HISTORY

REV	DESCRIPTION	DATE	APPROVED
1	FIRST	06/11/18	RY

A-A (4:1)

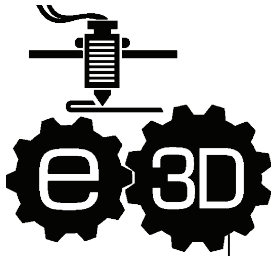


2	2	BEARING	MR95ZZ (5x9x3)
1	1	PULLEY	A6061-T6
Qty.	Part No.	Name of Part	Material Type

Copyright (C) E3D-Online Ltd (e3d-online.com)  
 These drawings are free hardware you can redistribute it and / or modify it under the terms of the General Public License as published by the Free Software Foundation, either version 3 of the License, or (at your option) any later version.

THIRD ANGLE PROJECTION  
 ALL DIMENSIONS IN MM  
 SCALE: 4:1  
 SURFACE FINISH: UNFINISHED

TOLERANCES UNLESS OTHERWISE STATED:  
 X ±0.2  
 X.X ±0.1  
 X.XX ±0.05

Dept. <b>Engineering</b>	Technical reference	Created by <b>JS</b>	06/11/18	Approved by <b>RY</b>	06/11/18
		Document type <b>PRODUCTION</b>	Document status <b>RELEASED</b>		
		Title <b>Gates Smooth Idler 9mm</b>	DWG No. <b>M-IDLER-S-D12-9-A-P5-H140</b>		
		Rev. <b>1</b>	Date of issue <b>06/11/18</b>	Sheet <b>1/1</b>	