

MOTECH MOTOR CO.,LTD

Product Name

Geared Stepper Motor
MT-1703HS120AG518E



Rev A

Made by

P.T

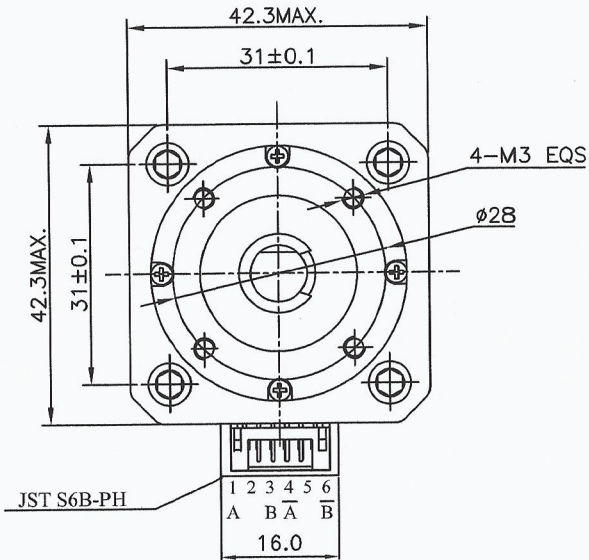
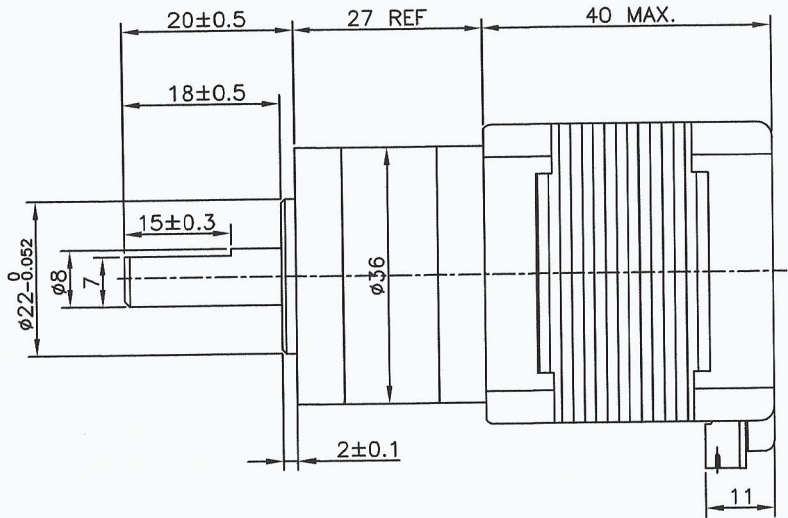
Approve

Martin

Date

2/27/2017

E3D SKU: E-MOTOR-GEARED-NEMA17



Motor Specs

Items	Specs
Phase Number	2 Phases
Step Angle	1.8°±5%
Rated Voltage	3.6 VDC
Rated Current	DC 1.2 A / Phase
Holding Torque	≥4.4 Kg-cm(61 Oz-in)
Resistance(20°C)	3.0 ±10% Ω / phase
Inductance	6.0 ±20% mH / Phase
Rotate Direction	ABAB CW

Gearbox

Items	Specs
Gear Ratio	5.18:1
Number of Stage	1-stage
Rated Tolerance Torque	20 kg.cm
Max Breaking Torque	40 kg.cm
Efficiency	90%
Max Radial Load	98.1N
Max. axial force	49.1N

Wiring Diagram

