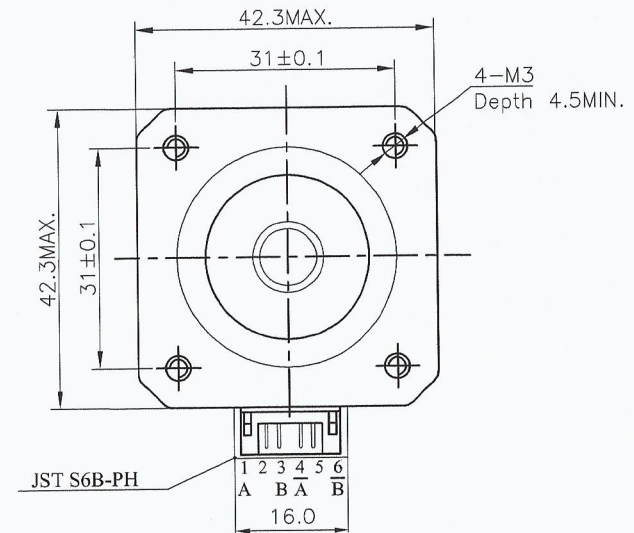
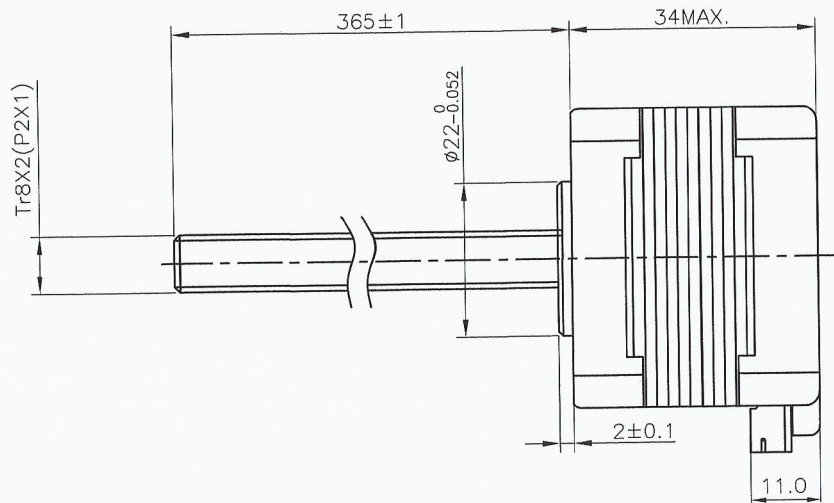
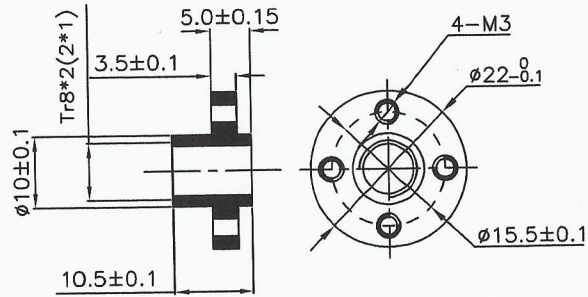


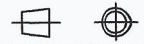
### Normal POM Nut



MOTECH MOTOR CO.,LTD

Product Name

Linear Stepper Motor  
MT-1702E133G6-365E



Rev A

Made by

P.T

Approve

Martin

Date

2/27/2017

E3D SKU: E-MOTOR-NEMA17-40MM-SCREW

Items	Specs	Items	Specs
Phase Number	2 phases	Step Angle/Length	1.8°±5% / (0.01mm/step)
Rated Voltage	2.8 VDC	Rated Current	DC 1.33 A / Phase
Resistance(20°C)	2.1±10% Ω / phase	Inductance	2.5±20% mH / Phase
Holding Torque	≥ 3.2 Kg-cm(44 Oz-in)	Detent Torque	120 g-cm REF.
Rotate Direction	ABCD CW	MAX Starting PPS	2800 PPS
MAX slewing PPS	3500 PPS	Insulation Resistance	≥100 MΩ(DC 500V)
HI POT	AC600V/1mA/1S	Insulation Class	Class B
Rotor Inertia	35 g.cm <sup>2</sup>	Weight	0.4 Kg REF.

### Wiring Diagram

