

8

7

6

5

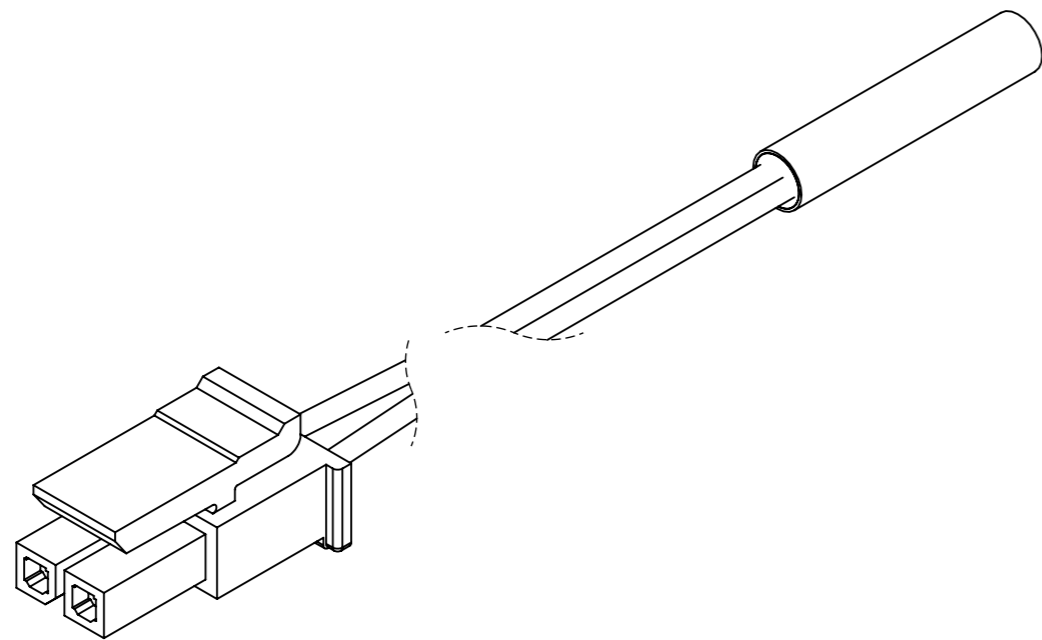
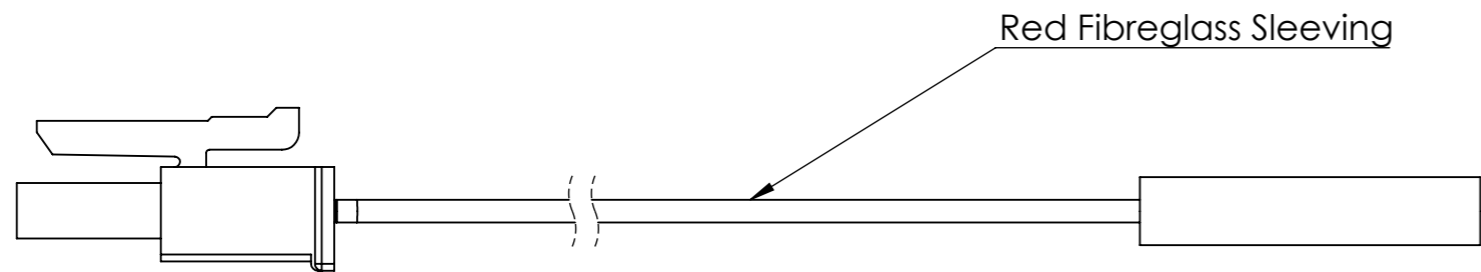
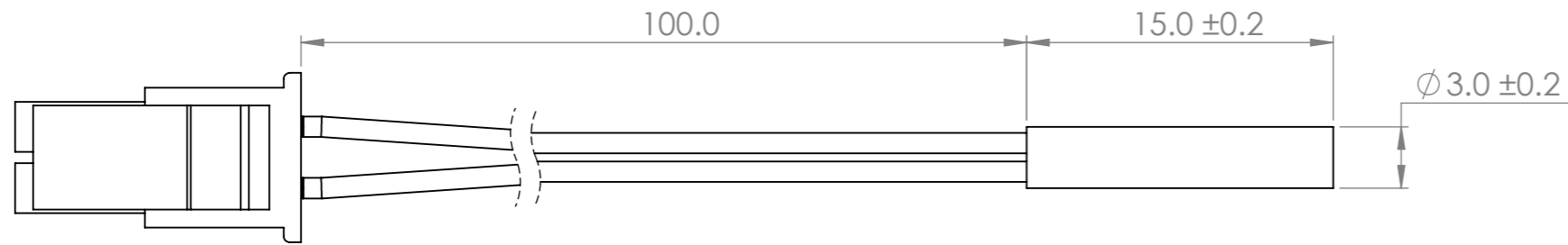
4

3

2

1

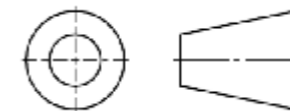
REV	REVISION BY	DATE	REVISION NOTES
1.0	JH	13/08/2020	First Release.



Copyright (C) E3D-Online Ltd (e3d-online.com)
 These drawings are free hardware you can redistribute it and / or modify it under the terms of the General Public License as published by the Free Software Foundation, either version 3 of the License, or (at your option) any later version.



IF TOLERANCE UNSPECIFIED APPLY ISO2768-cl
 DEGREASE AND DEBURR ALL PARTS
 IF IN DOUBT ASK
 THIRD ANGLE PROJECTION



MATERIAL: N/A

FINISH: N/A

DESCRIPTION:

PT100 sensor cartridge

DWG NO:

E-PT100-100-MOLEX

SHEET SCALE: 3:1 SHEET SIZE: A3 SHEET NUMBER: 1 OF 1

8

7

6

5

4

3

2

1

F

F

E

E

D

D

C

C

B

B

A

A