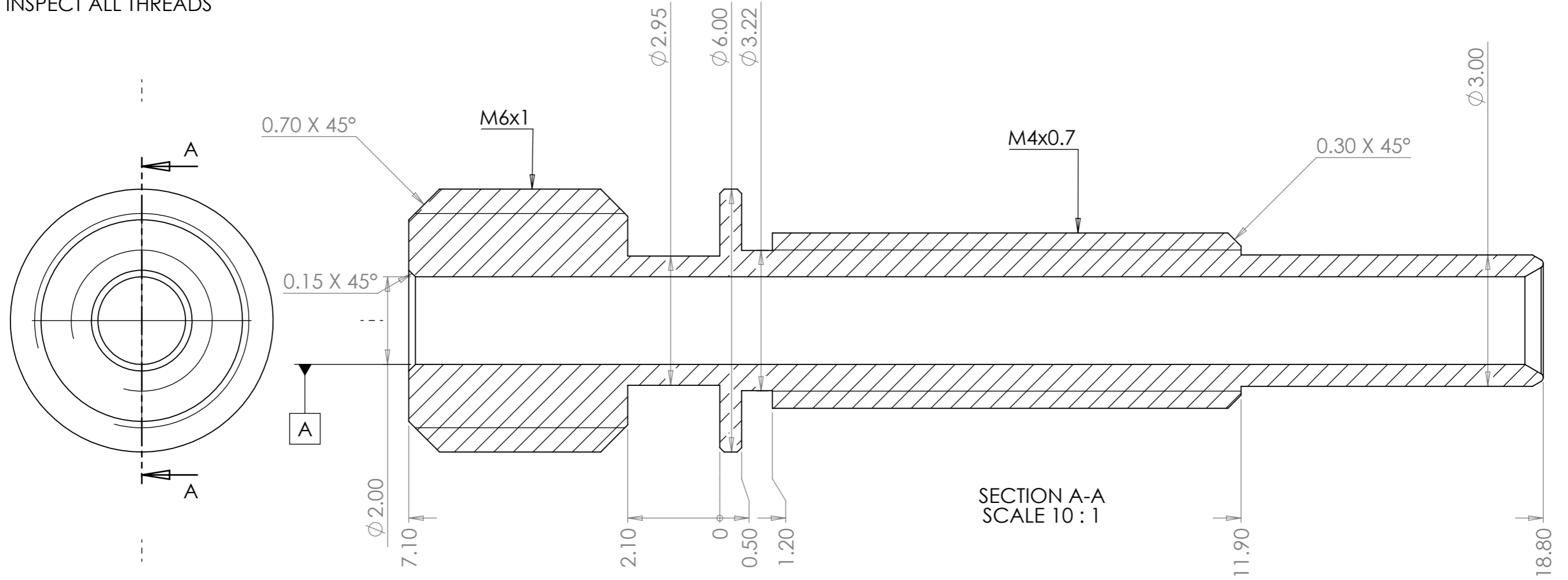


MATERIAL TABLE		
SKU	MATERIAL	TREATMENT
HEMERA-175-BREAK	Stainless Steel	N/A
HEMERA-175-BREAK-TI	TI	N/A

REV	REVISION BY	DATE	REVISION NOTES
2.0	DPT	16/07/2020	Ported.

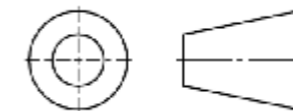
**NOTE:**  
INSPECT ALL THREADS



Copyright (C) E3D-Online Ltd (e3d-online.com)  
These drawings are free hardware you can  
redistribute it and / or modify it under the terms  
of the General Public License as published by  
the Free Software Foundation, either version 3  
of the License, or (at your option) any later  
version.



IF TOLERANCE UNSPECIFIED APPLY ISO2768-cl  
DEGREASE AND DEBURR ALL PARTS  
IF IN DOUBT ASK  
THIRD ANGLE PROJECTION



MATERIAL: See Table

FINISH: Natural

DESCRIPTION:

Hemera 1.75 heatbreak

DWG NO:

HEMERA-175-BREAK

SHEET SCALE: 10:1

SHEET SIZE: A3

SHEET NUMBER: 1 OF 1